

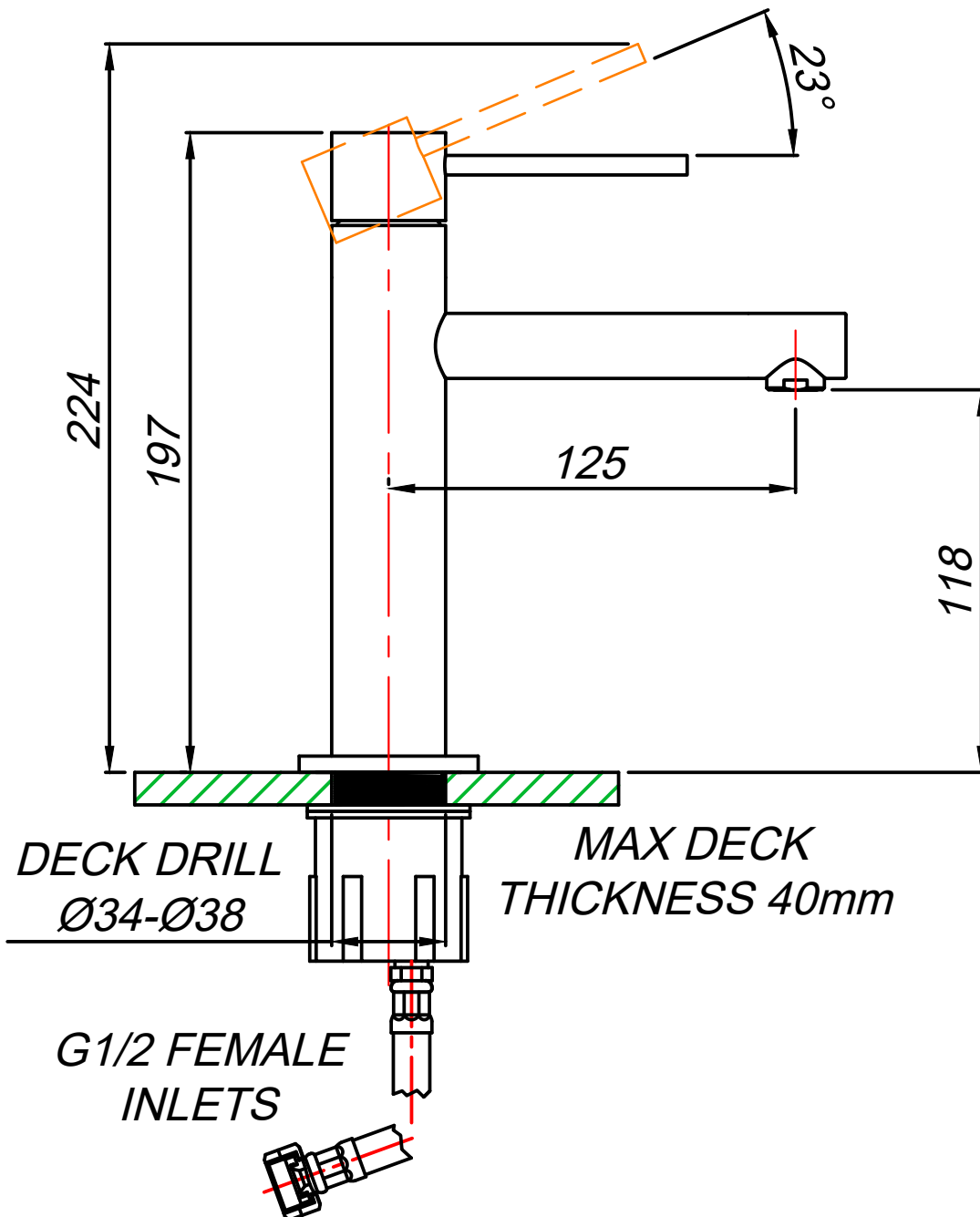
LA00010/LA0A010/LA0B010/LA0M010/LA0S010

Lace Basin Mixer

Water pressure requirement:

Recommended 300kPa

Balanced not exceeding 600 kPa



Total Tube Length: 400mm
Exposed Tube Length: 350mm

All dimensions are in millimetres (mm) and subject to manufacturing tolerances