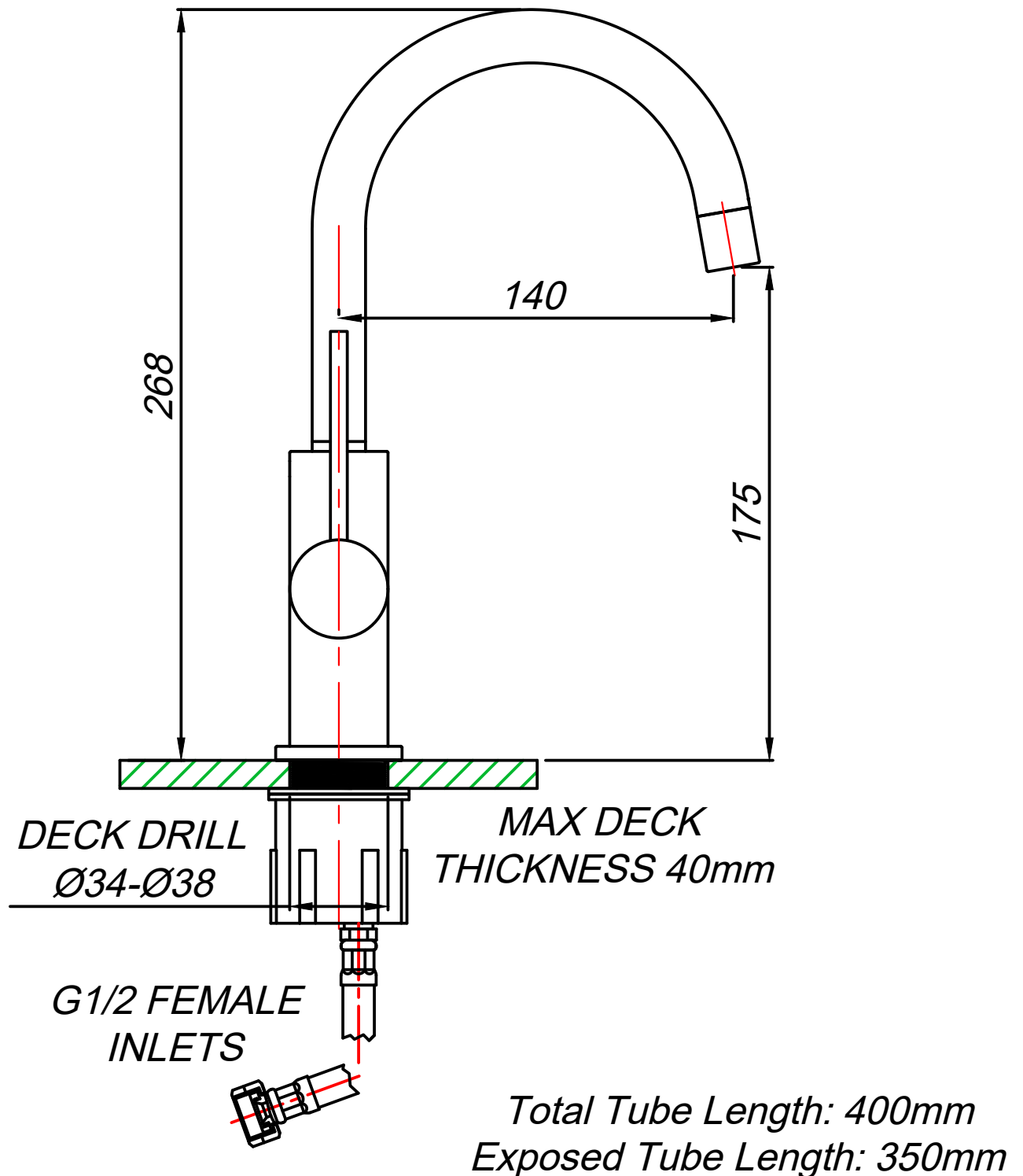


LA00013/LA0A013/LA0B013/LA0M013/LA0S013  
Lace Gooseneck Basin Mixer

Water pressure requirement:

Recommended 300kPa

Balanced not exceeding 600 kPa



All dimensions are in millimetres (mm) and subject to manufacturing tolerances