

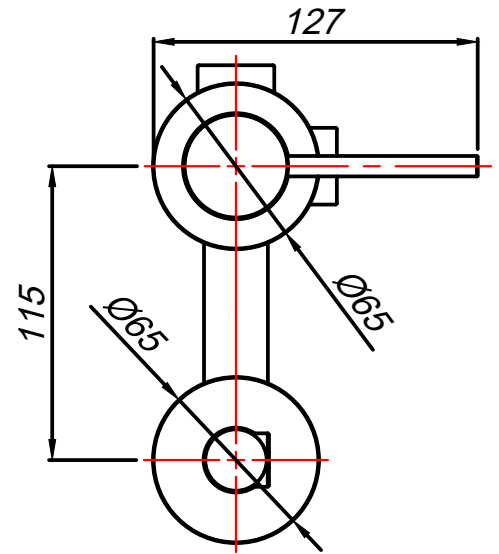
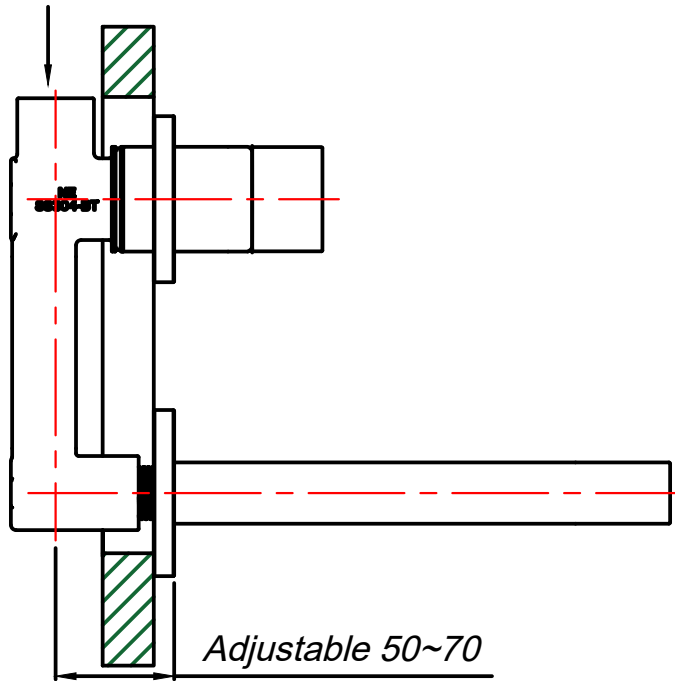
LA00014/LA0A014/LA0B014/LA0M014/LA0S014
Lace Basin/Bath Mixer

Water pressure requirement:

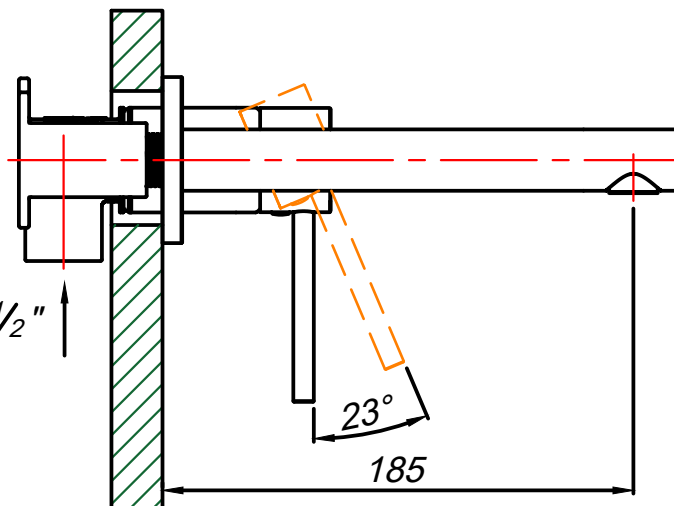
Recommended 300kPa

Balanced not exceeding 600 kPa

Cold Inlet G $\frac{1}{2}$ "
Female



Hot Inlet G $\frac{1}{2}$ "
Female



All dimensions are in millimetres (mm) and subject to manufacturing tolerances