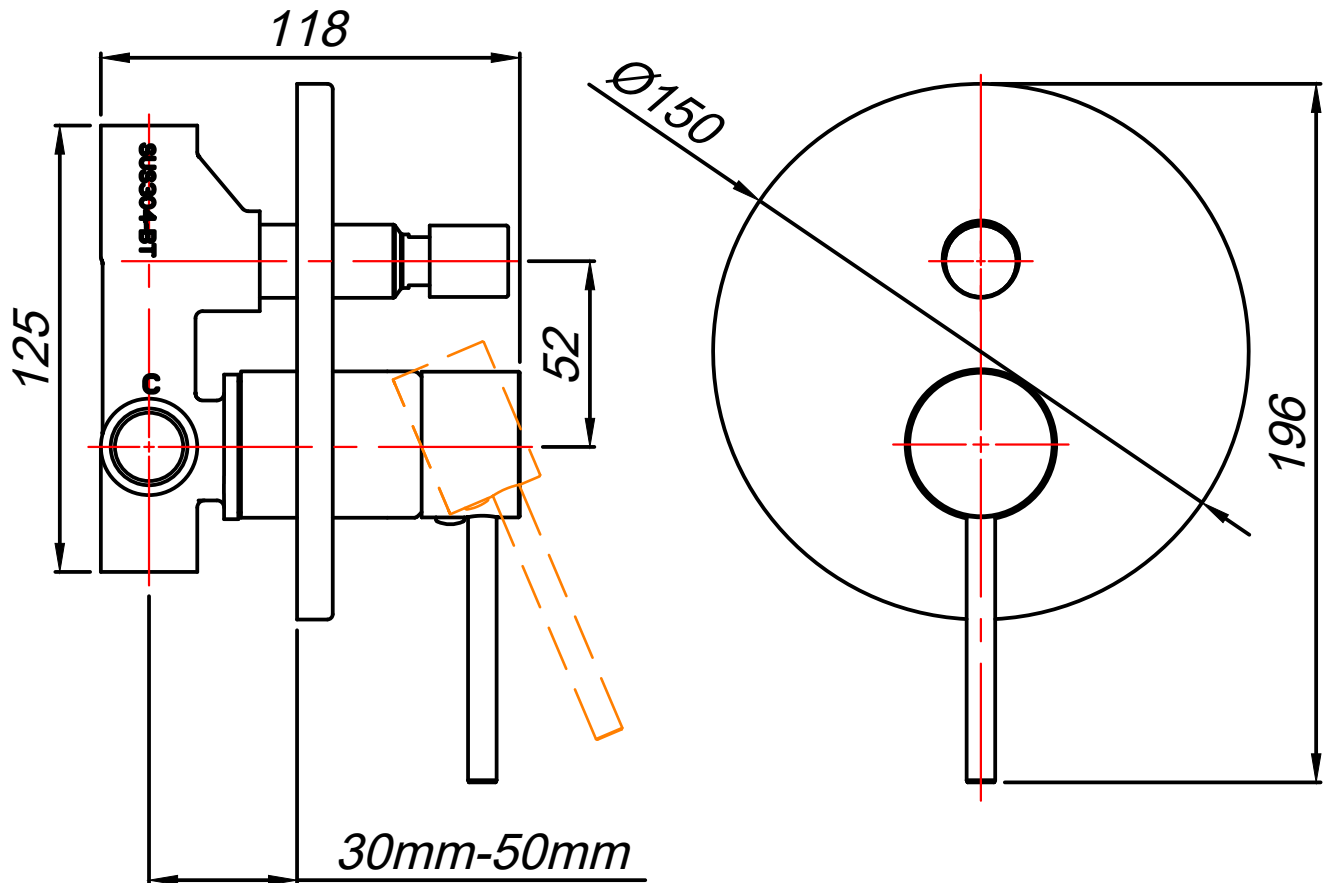


LA00040/LA0A040/LA0B040/LA0M040/LA0S040
Lace Bath/Shower Mixer

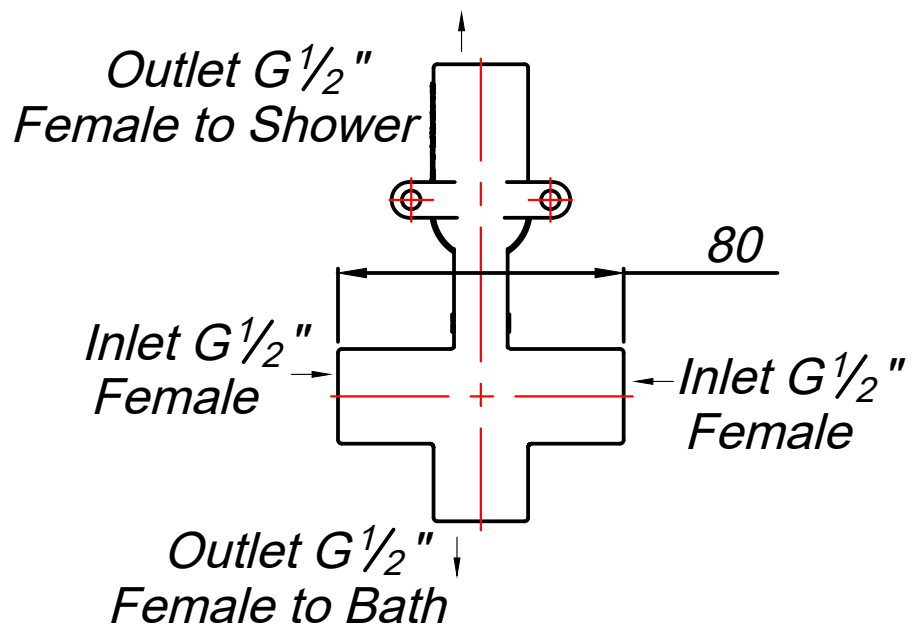
Water pressure requirement:

Recommended 300kPa

Balanced not exceeding 600 kPa



Only Use
Watermark
approved
connections and
fittings



All dimensions are in millimetres (mm) and subject to manufacturing tolerances