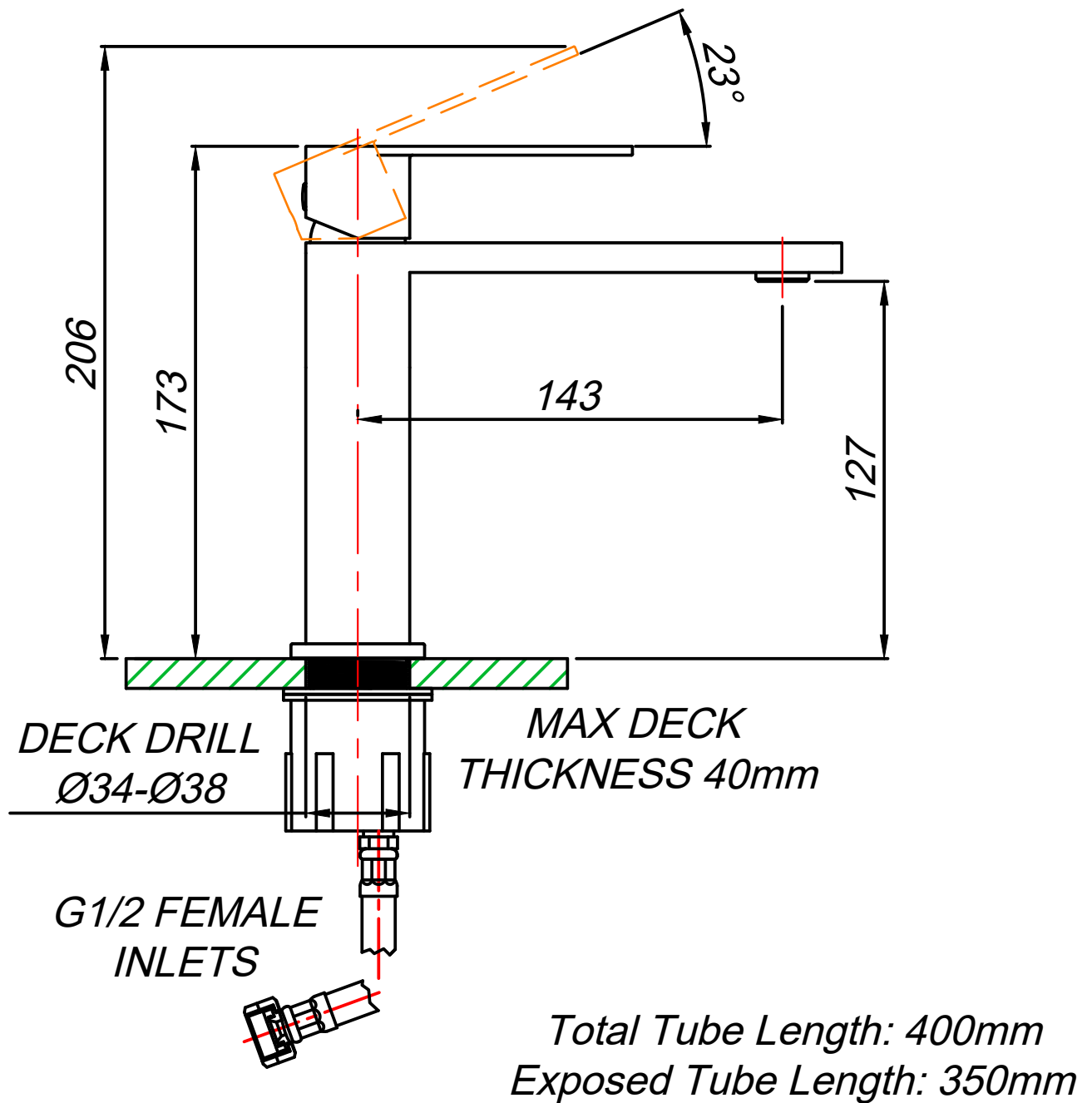


*SK00010/SK0A010/SK0B010/SK0M010/SK0S010*  
*Silk Basin Mixer*

*Water pressure requirement:*

*Recommended 300kPa*

*Balanced not exceeding 600 kPa*



*All dimensions are in millimetres (mm) and subject to manufacturing tolerances*