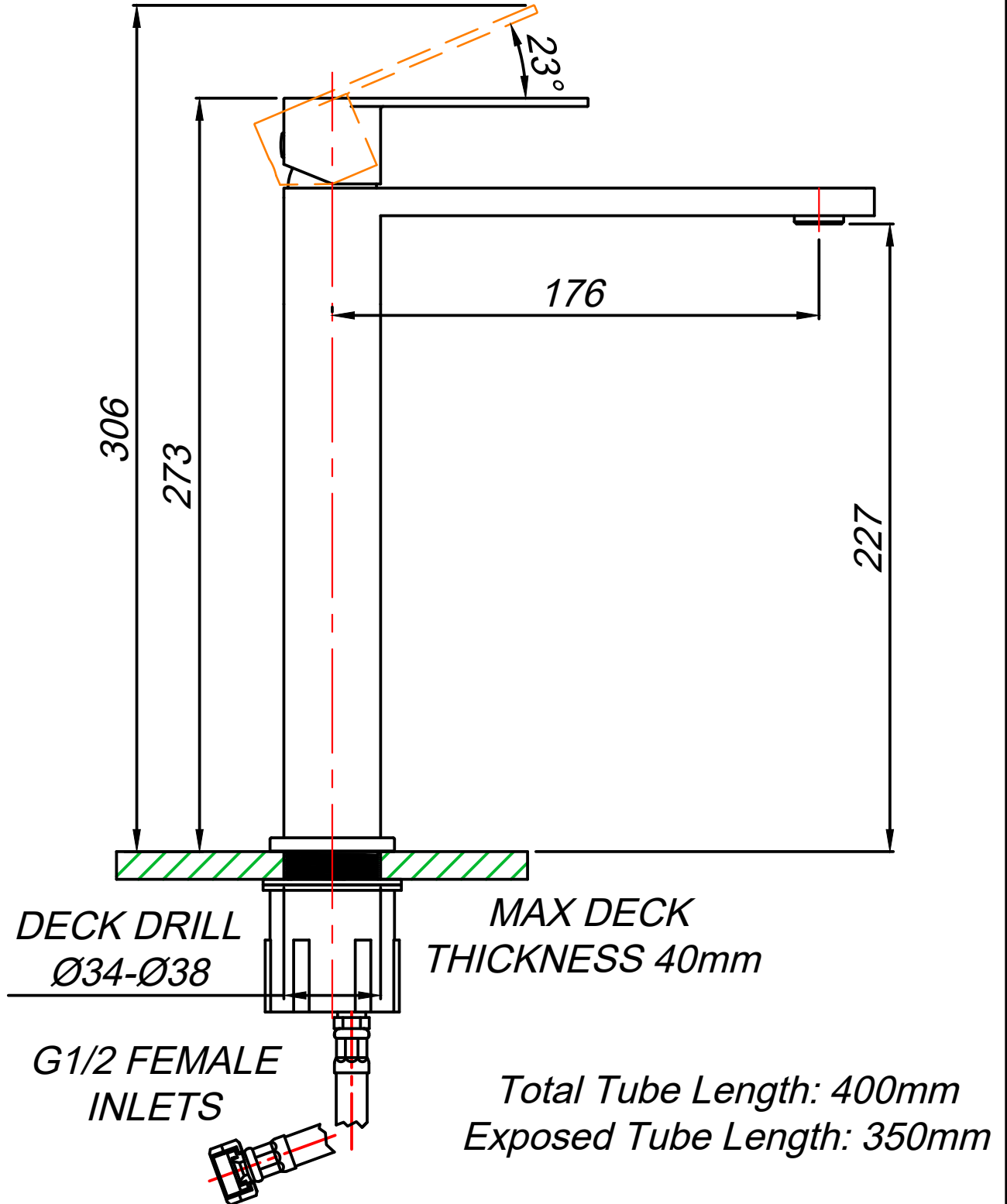


*SK00012/SK0A012/SK0B012/SK0M012/SK0S012*  
*Silk High Basin Mixer*

*Water pressure requirement:*

*Recommended 300kPa*

*Balanced not exceeding 600 kPa*



*All dimensions are in millimetres (mm) and subject to manufacturing tolerances*