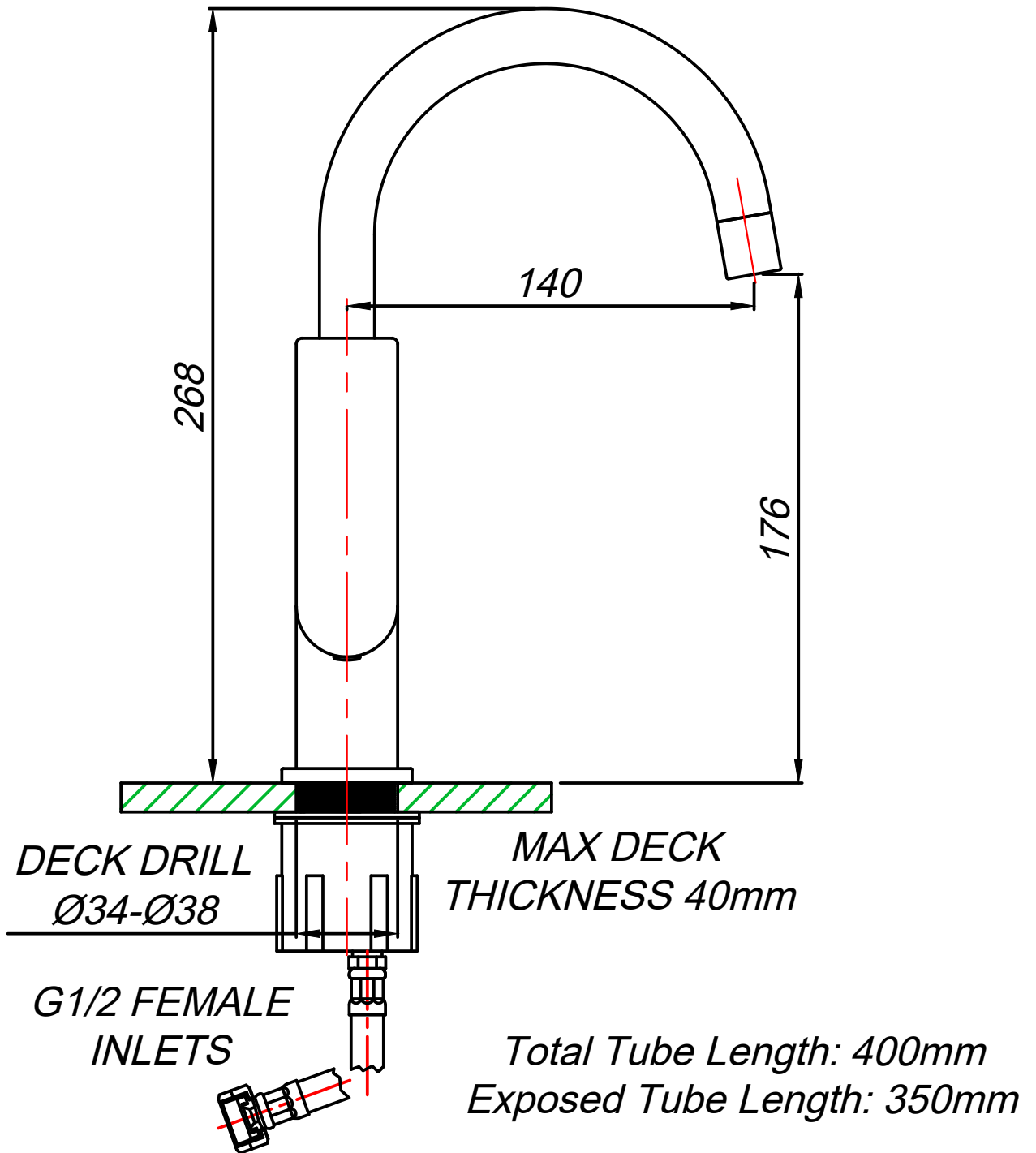


SK00013/SK0A013/SK0B013/SK0M013/SK0S013
Silk Gooseneck Basin Mixer

Water pressure requirement:

Recommended 300kPa

Balanced not exceeding 600 kPa



All dimensions are in millimetres (mm) and subject to manufacturing tolerances