

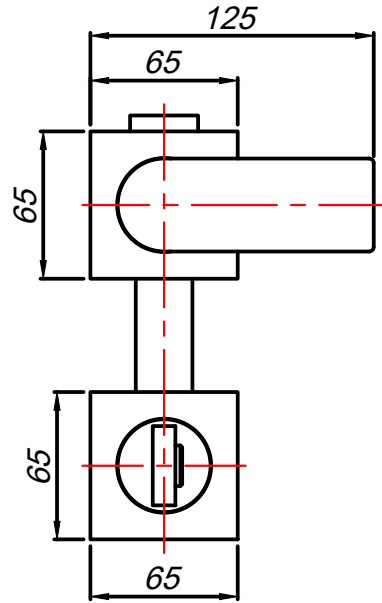
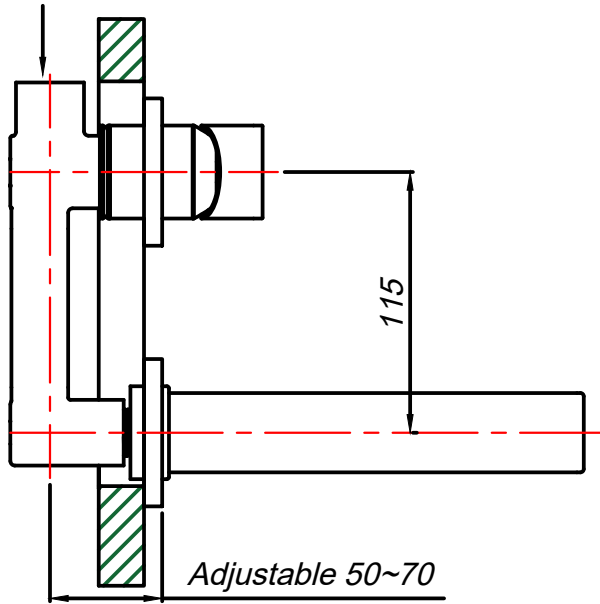
SK00014/SK0A014/SK0B014/SK0M014/SK0S014  
Silk Basin/Bath Mixer

Water pressure requirement:

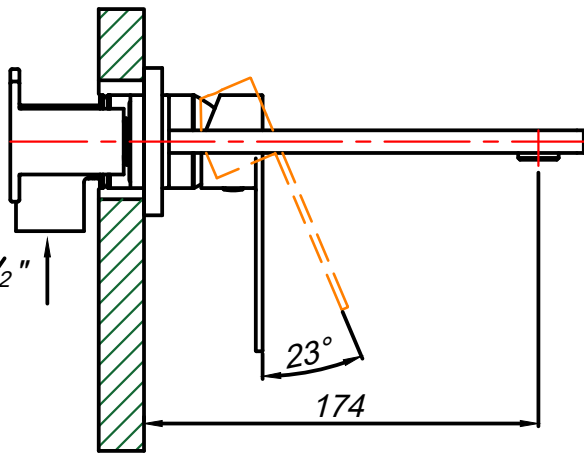
Recommended 300kPa

Balanced not exceeding 600 kPa

Cold Inlet G $\frac{1}{2}$ "  
Female



Hot Inlet G $\frac{1}{2}$ "  
Female



All dimensions are in millimetres (mm) and subject to manufacturing tolerances