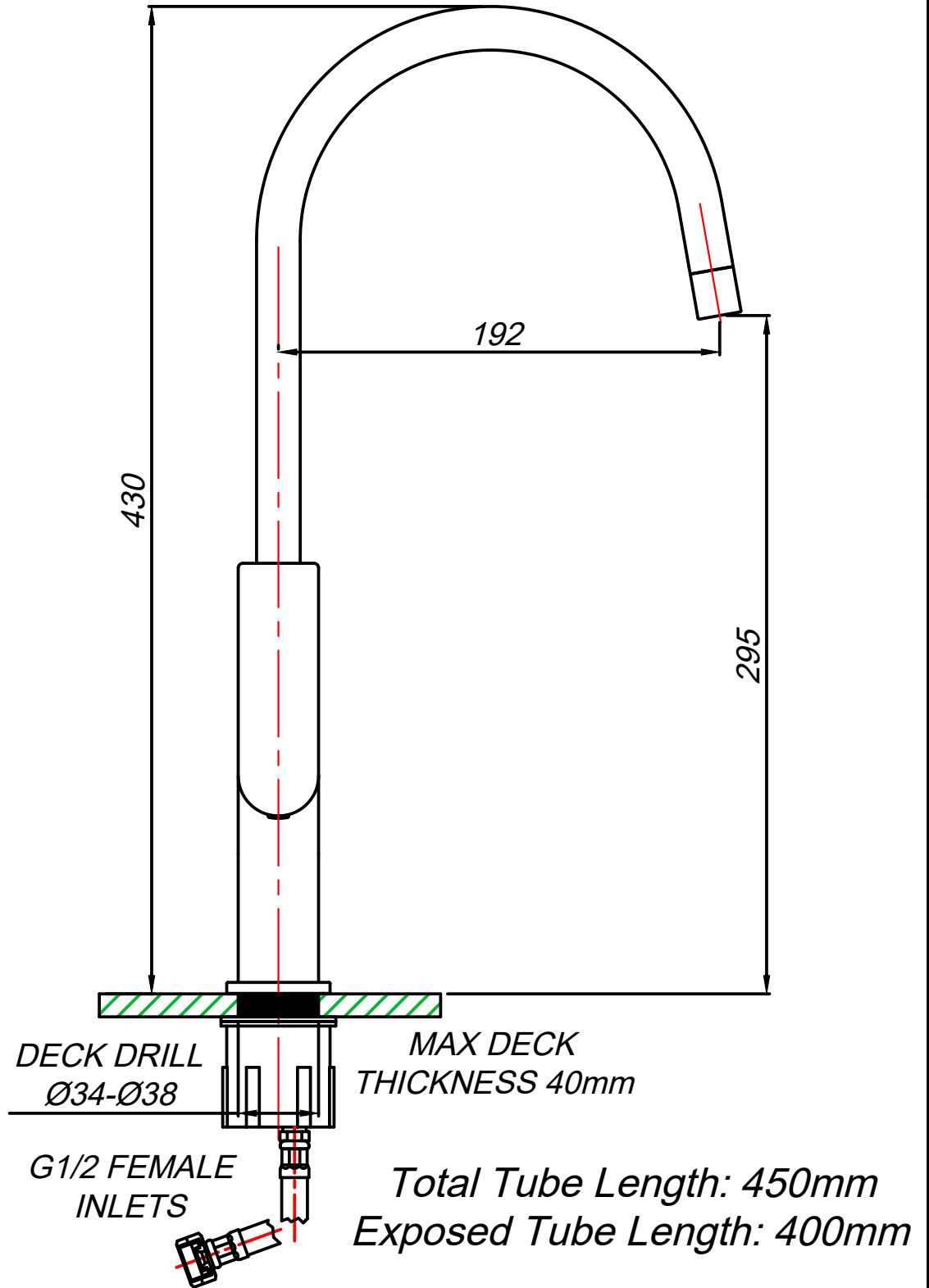


SK00018/SK0A018/SK0B018/SK0M018/SK0S018
Silk Sink Mixer

Water pressure requirement:

Recommended 300kPa
Balanced not exceeding 600 kPa



All dimensions are in millimetres (mm) and subject to manufacturing tolerances