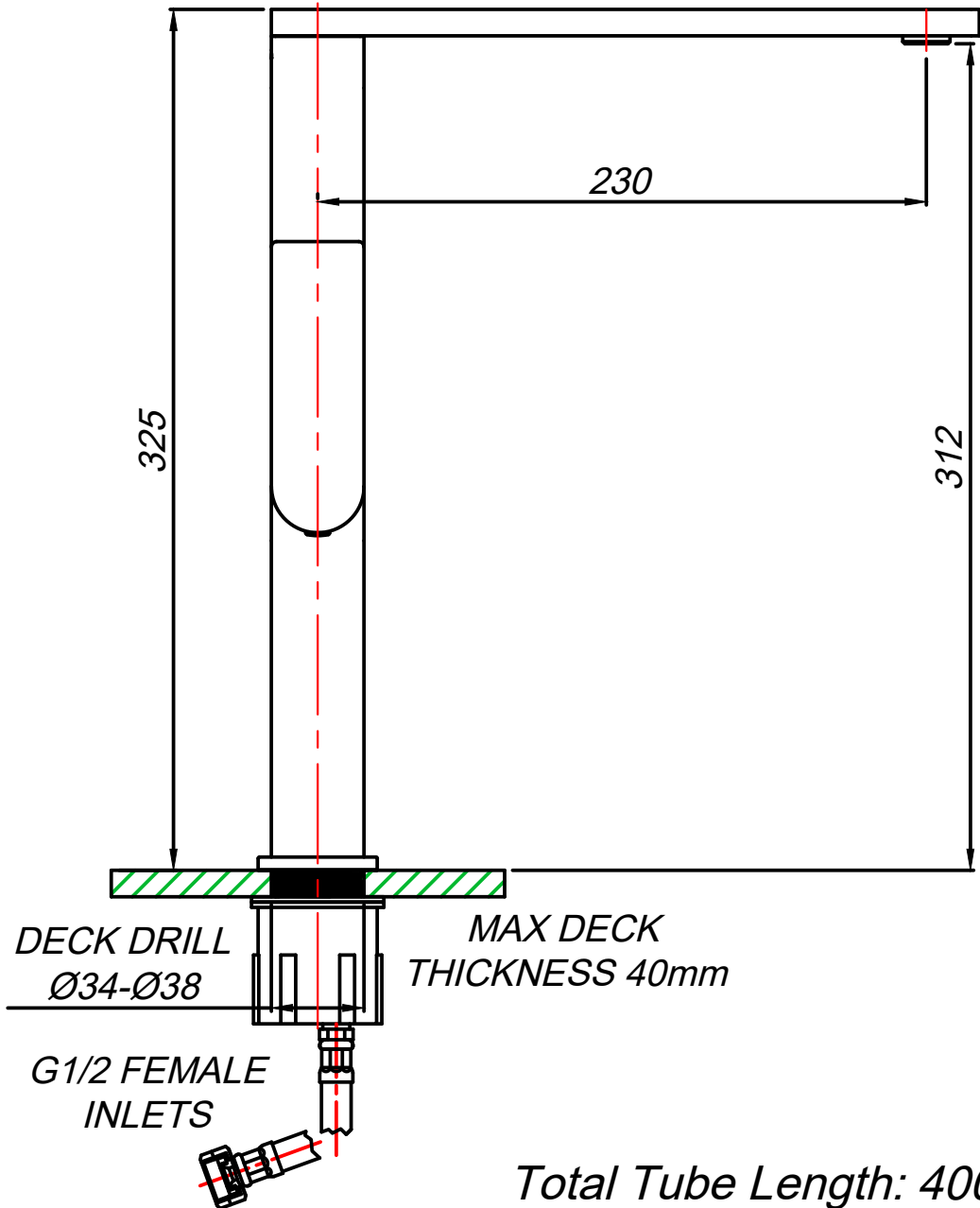


SK00019/SK0A019/SK0B019/SK0M019/SK0S019
Silk Single Hole Sink Mixer

Water pressure requirement:

Recommended 300kPa
Balanced not exceeding 600 kPa



Total Tube Length: 400mm
Exposed Tube Length: 350mm

All dimensions are in millimetres (mm) and subject to manufacturing tolerances