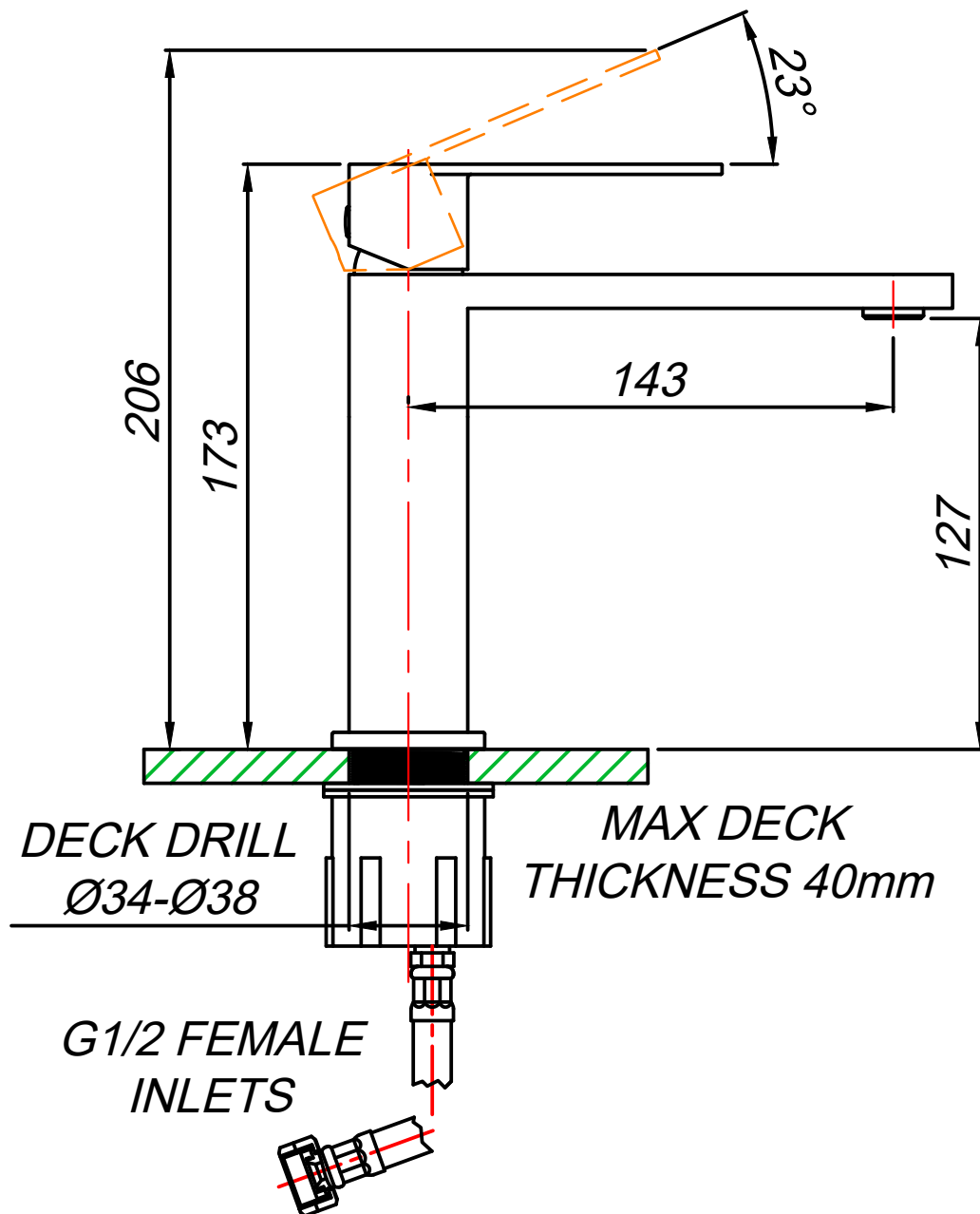


*SN00010/SN0A010/SN0B010/SN0M010/SN0S010*  
*Satin Basin Mixer*

*Water pressure requirement:*

*Recommended 300kPa*

*Balanced not exceeding 600 kPa*



*DECK DRILL*  
*Ø34-Ø38*

*MAX DECK*  
*THICKNESS 40mm*

*G1/2 FEMALE*  
*INLETS*

*Total Tube Length: 400mm*  
*Exposed Tube Length: 350mm*

*All dimensions are in millimetres (mm) and subject to manufacturing tolerances*