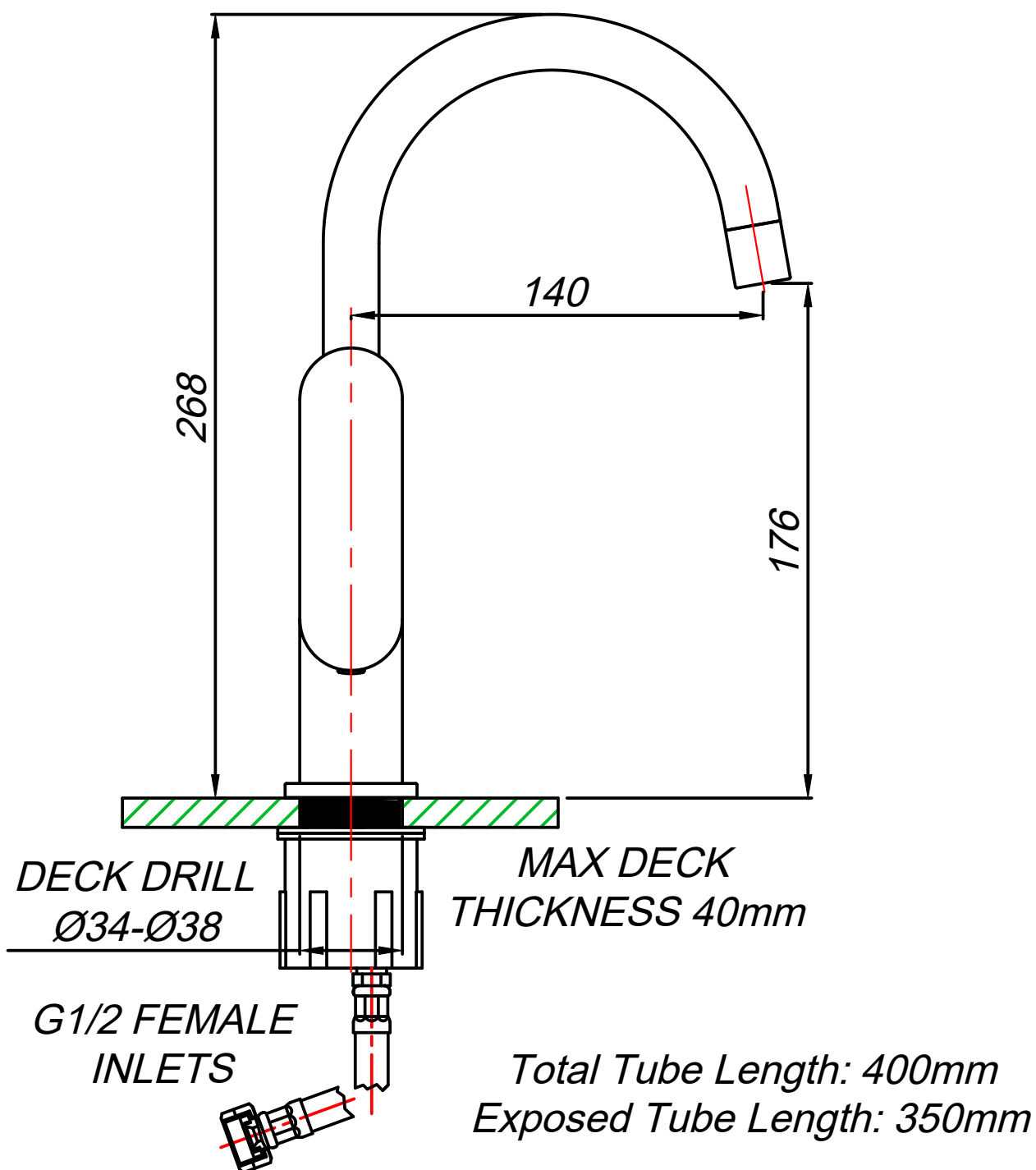


*SN00013/SN0A013/SN0B013/SN0M013/SN0S013*  
*Satin Gooseneck Basin Mixer*

*Water pressure requirement:*

*Recommended 300kPa*

*Balanced not exceeding 600 kPa*



*All dimensions are in millimetres (mm) and subject to manufacturing tolerances*