

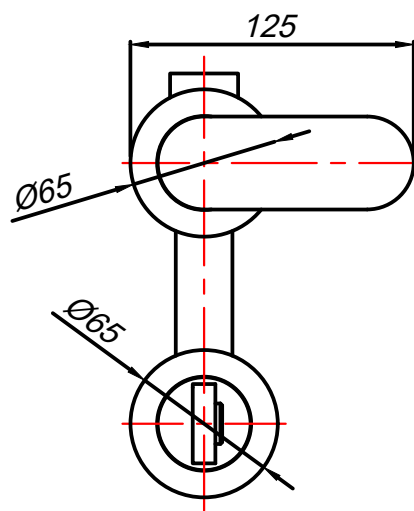
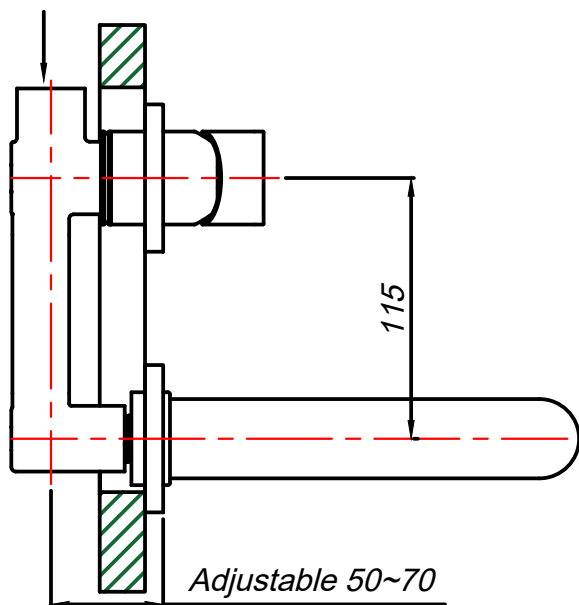
SN00014/SN0A014/SN0B014/SN0M014/SN0S014
Satin Basin/Bath Mixer

Water pressure requirement:

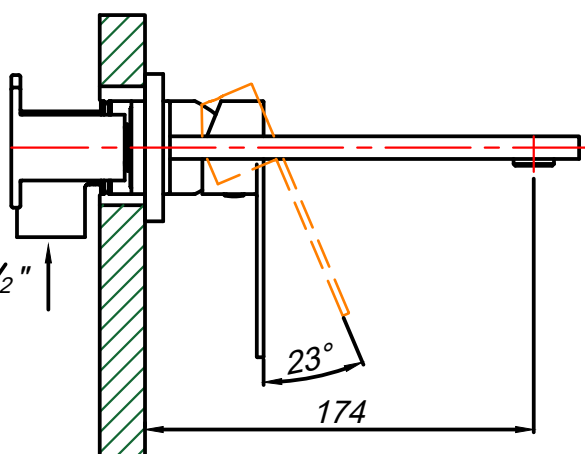
Recommended 300kPa

Balanced not exceeding 600 kPa

Cold Inlet G $\frac{1}{2}$ "
Female



Hot Inlet G $\frac{1}{2}$ "
Female



All dimensions are in millimetres (mm) and subject to manufacturing tolerances