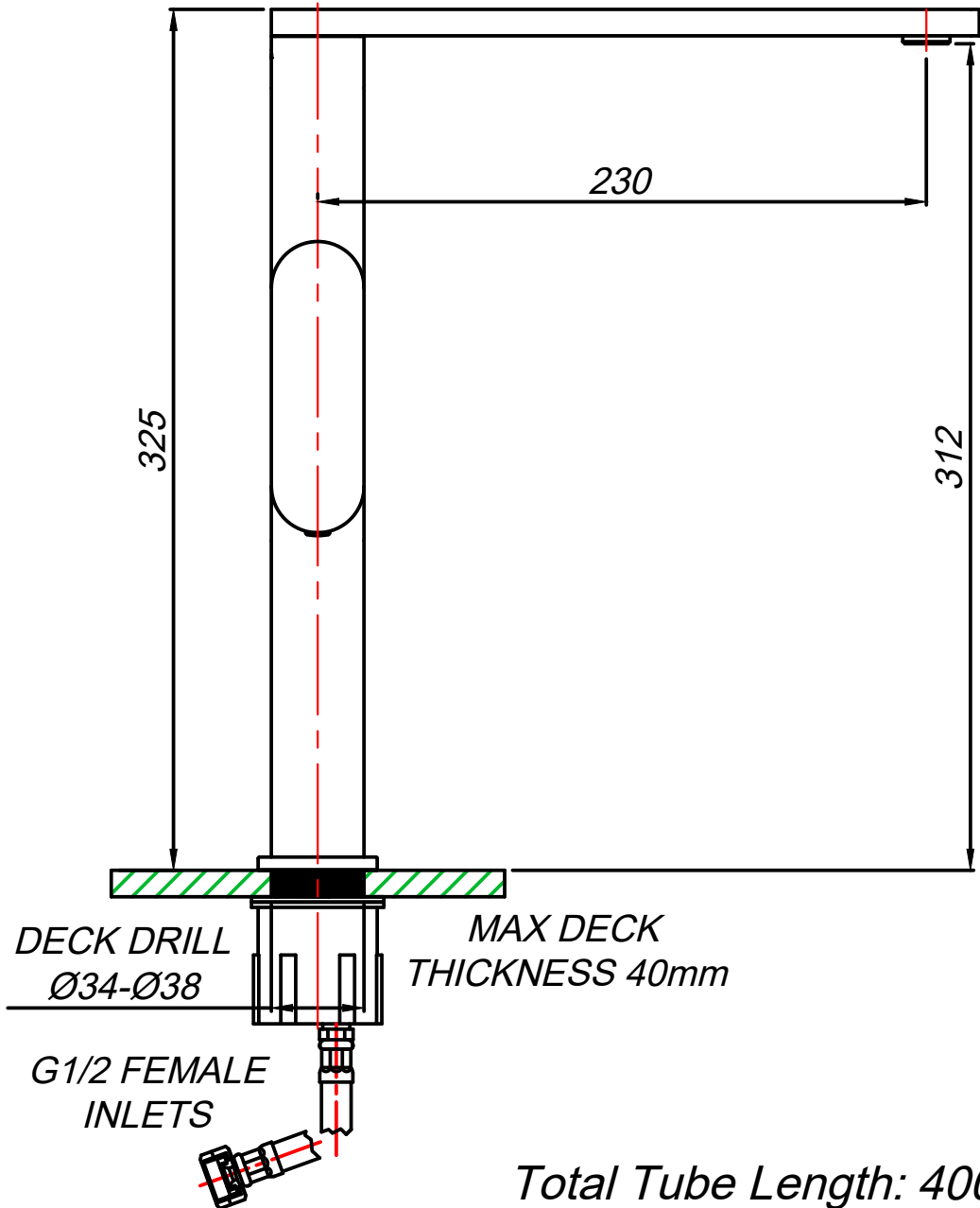


SN00019/SN0A019/SN0B019/SN0M019/SN0S019
Satin Single Hole Sink Mixer

Water pressure requirement:

Recommended 300kPa
Balanced not exceeding 600 kPa



Total Tube Length: 400mm
Exposed Tube Length: 350mm

All dimensions are in millimetres (mm) and subject to manufacturing tolerances