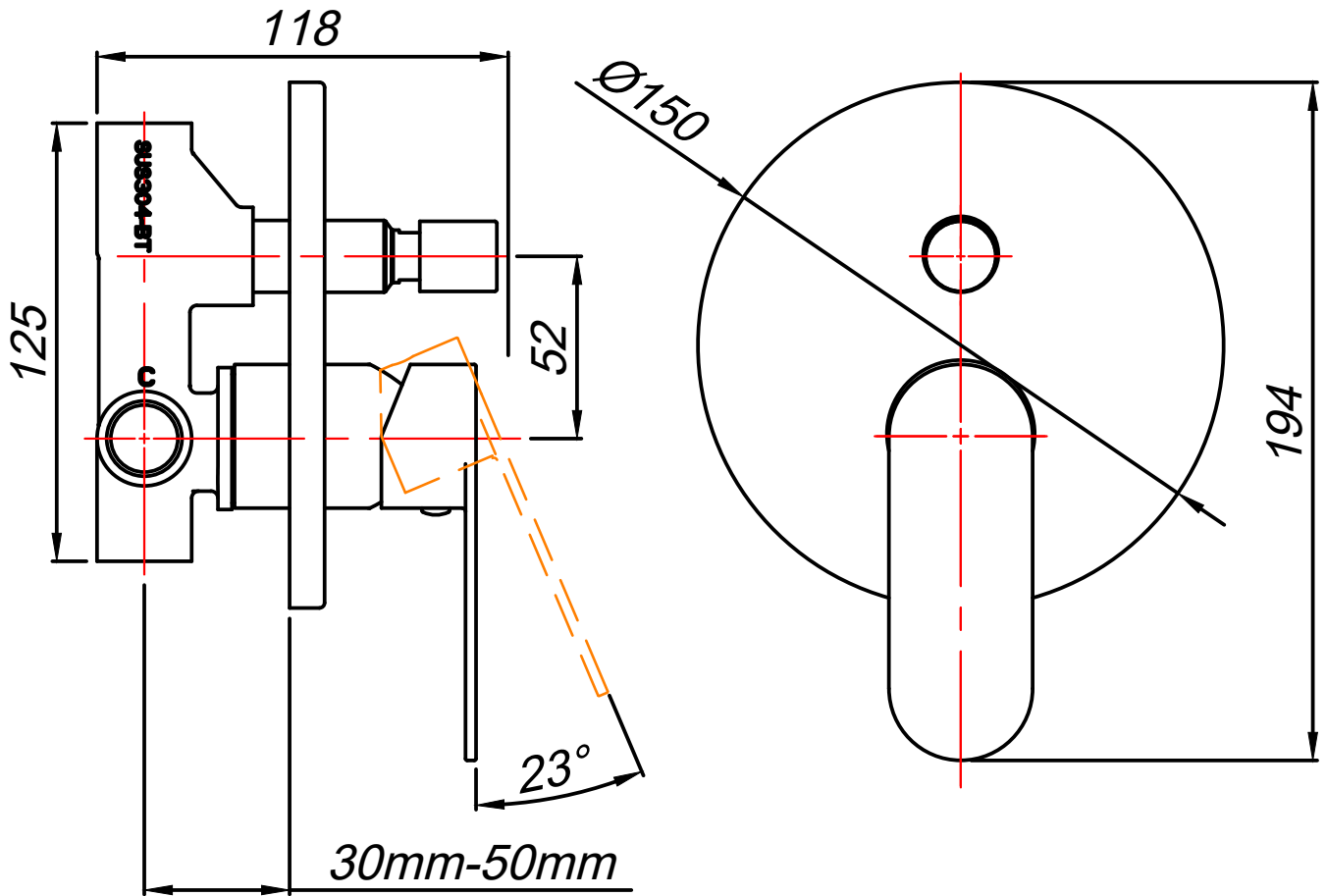


*SN00040/SN0A040/SN0B040/SN0M040/SN0S040*  
*Satin Bath/Shower Mixer*

*Water pressure requirement:*

*Recommended 300kPa*

*Balanced not exceeding 600 kPa*



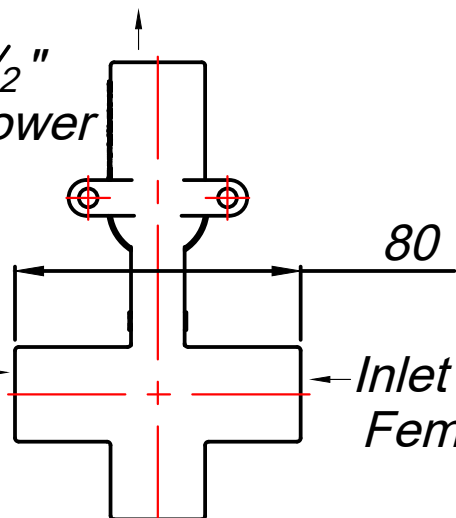
*Only Use  
Watermark  
approved  
connections and  
fittings*

*Outlet G $\frac{1}{2}$ "  
Female to Shower*

*Inlet G $\frac{1}{2}$ "  
Female*

*Inlet G $\frac{1}{2}$ "  
Female*

*Outlet G $\frac{1}{2}$ "  
Female to Bath*



*All dimensions are in millimetres (mm) and subject to manufacturing tolerances*